

ECO DOWNLIGHT 1", 3", 5" SAIC - INSTALLATION INSTRUCTIONS

**READ AND FOLLOW ALL SAFETY INSTRUCTIONS!
SAVE THESE INSTRUCTIONS AND DELIVER TO OWNER AFTER INSTALLATION.**

WARNING: RISK OF ELECTRIC SHOCK

- Before installation or servicing DISCONNECT POWER BY SHUTTING OFF THE CIRCUIT breakers both to the outlet box and to its associated wall switch.
- Installation and service of luminaires should be performed by a qualified licensed electrician in accordance with all local and National Electrical Codes.
- Do not install damaged product.
- Verify that supply voltage is correct by comparing it with the luminaire label information.
- All wiring connections should be capped with UL approved wire connectors.

WARNING: RISK OF INJURY

- Allow luminaire to cool before servicing.
- Follow all manufacturer's warning and restrictions for driver type, mounting locations, replacement and recycling.
- Wear safety glasses and gloves when installing, maintaining or servicing.
- Avoid direct eye exposure to the light source while it is on.

RISK OF PRODUCT DAMAGE

- Never connect components under load.
- Do not touch the yellow surface of the LED as it may damage the light engine.

WARNING: RISK OF FIRE

- Do not separate any other wires that may be in the box.
- Do not damage the insulation of existing wiring.
- In regular circumstances the BLACK wire will be the "Hot" lead and the WHITE wire will be the "Neutral" or "Common" lead. A GREEN or BARE COPPER wire is the "Ground." In older buildings, it is always good practice to reconfirm the polarity of the wiring.

TOOLS REQUIRED



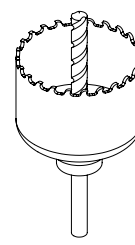
Flat Head
Screw Driver



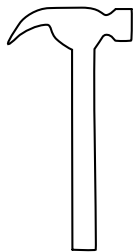
Size 1 Phillips
Screw Driver



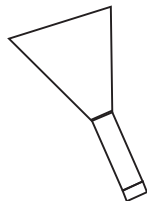
Size 2 Phillips
Screw Driver



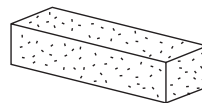
Hole Saw
(Or Speed Router)



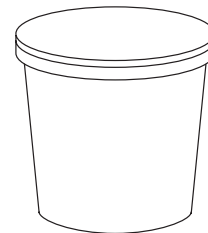
Claw Hammer



Drywall Knife



Sanding Block



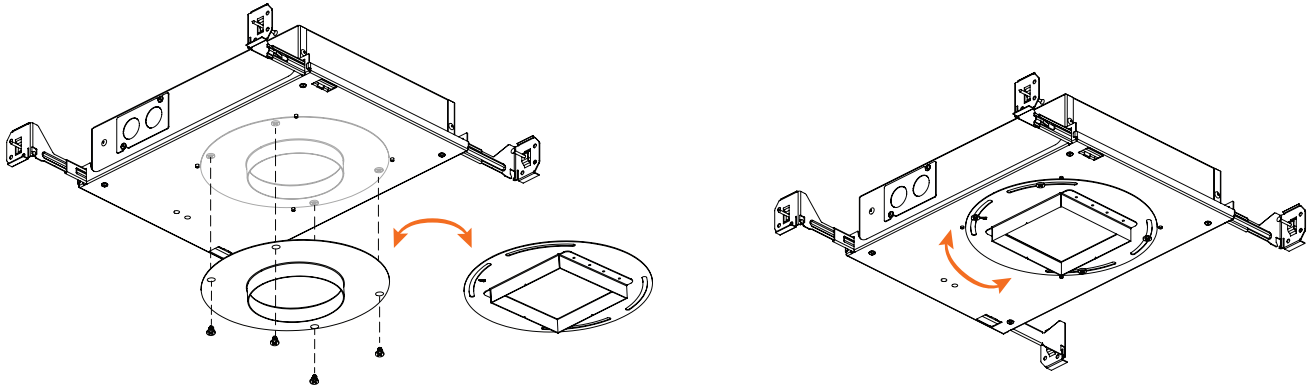
Drywall Mud

ECO DOWNLIGHT 1", 3", 5" SAIC - INSTALLATION INSTRUCTIONS

PREPARATION

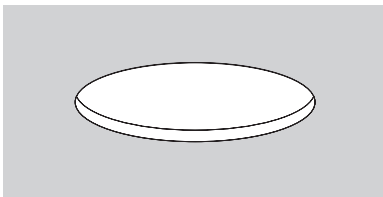
1", 3", 5" Square Trimless and 1" Round Trimless Application Only

Remove round luminaire collar, attached square luminaire collar (provided with Square mud-ring), and align collar to the desired angle.

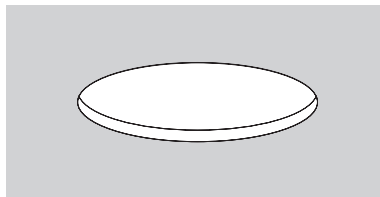


For All Applications: Measure Before You Cut

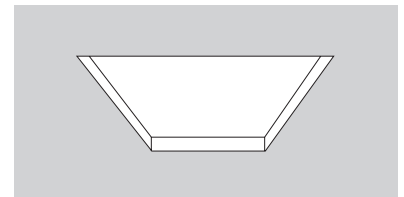
Consult the ceiling cutout table below to determine your application ceiling cutout requirements.



Flanged Trim
Ceiling Cutout Table



Round Trimless
Ceiling Cutout Table



Square Trimless
Ceiling Cutout Table

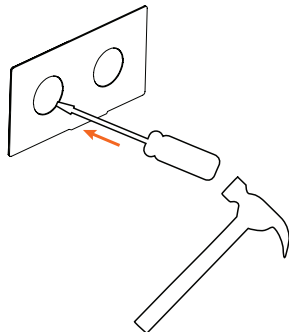
Model	1 inch	3 inch	5 inch
Cutout Size	Ø2-3/8 (Ø60.3mm)	Ø3-7/8 (Ø98.4mm)	Ø5-1/8 (Ø130.2mm)

Model	1 inch	3 inch	5 inch
Cutout Size	Ø3-1/8 (Ø79.4mm)	Ø4-3/8 (Ø111.1mm)	Ø5-3/4 (Ø146.1mm)

Model	1 inch	3 inch	5 inch
Cutout Size	L 2-1/2 (L 63.5mm)	L 3-3/4 (L 95.3mm)	L 5-1/8 (L 130.2mm)

For All Applications: Remove Knock-Out(s)

Remove knock-out(s) where needed with a flat-head screwdriver and hammer.

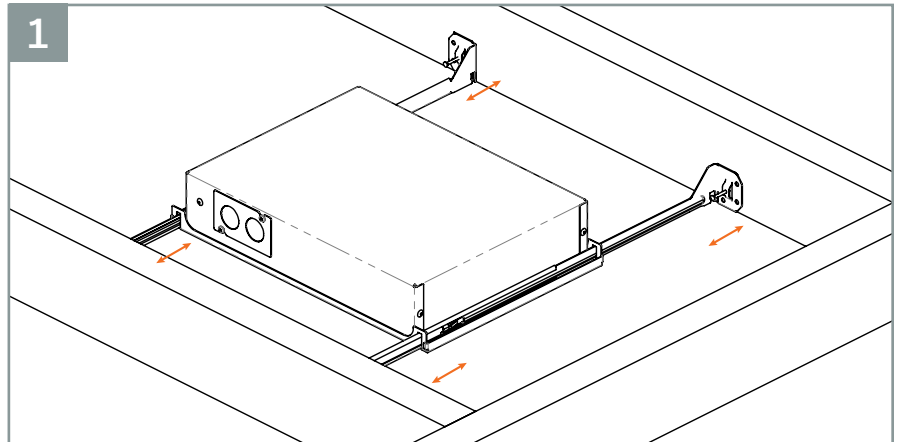


ECO DOWNLIGHT 1", 3", 5" SAIC - INSTALLATION INSTRUCTIONS

INSTALLATION

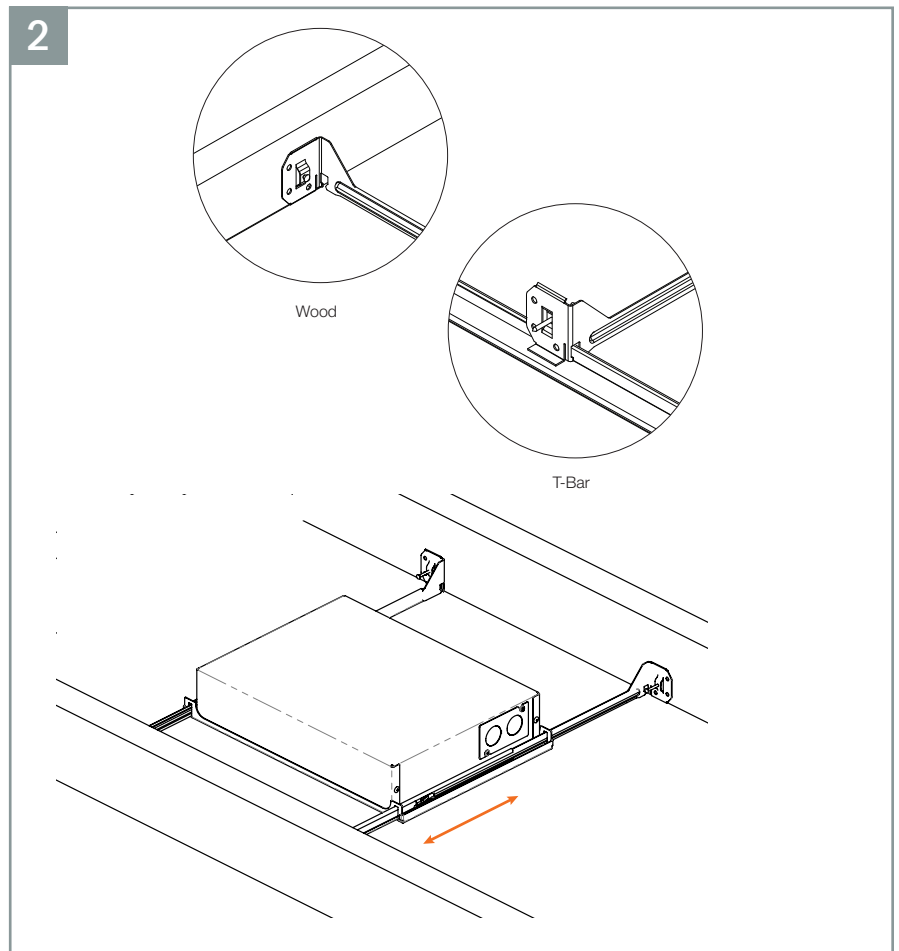
STEP 1 - Hanger Bars Adjustment

Adjust the hanger bars to fit between joists
(For suspended ceiling, remove the required tile).



STEP 2 - Secure Hanger Bars

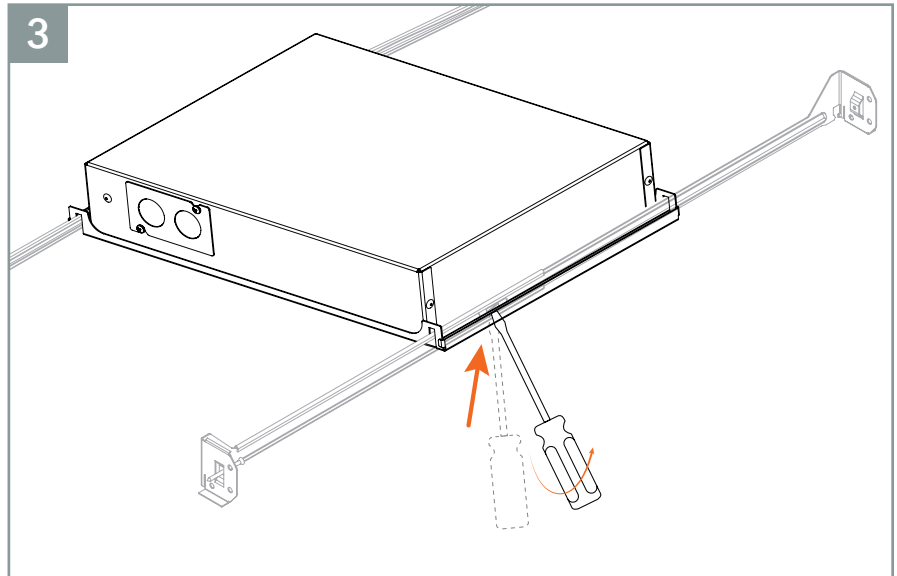
- For wood joists, Line up the bottom of the hanger bars to the bottom of the joists and nail the ends of the hanger bars to the joists.
- For suspended Ceiling (T-Bar), Snap in place the hanger bars on the suspended ceiling T-bar, or use bailing wire to secure the hanger bars.



ECO DOWNLIGHT 1", 3", 5" SAIC - INSTALLATION INSTRUCTIONS

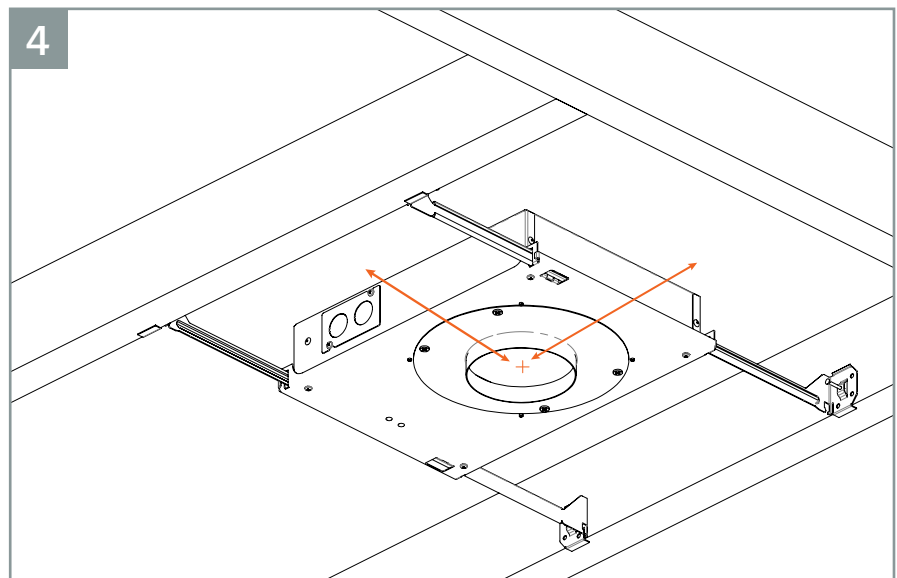
STEP 3 - Secure System

Slide the bottom plate to the desired position and use a flat head screwdriver to tilt the locking tabs into the hanger bars until system is secure.



STEP 4 - Position Measurement

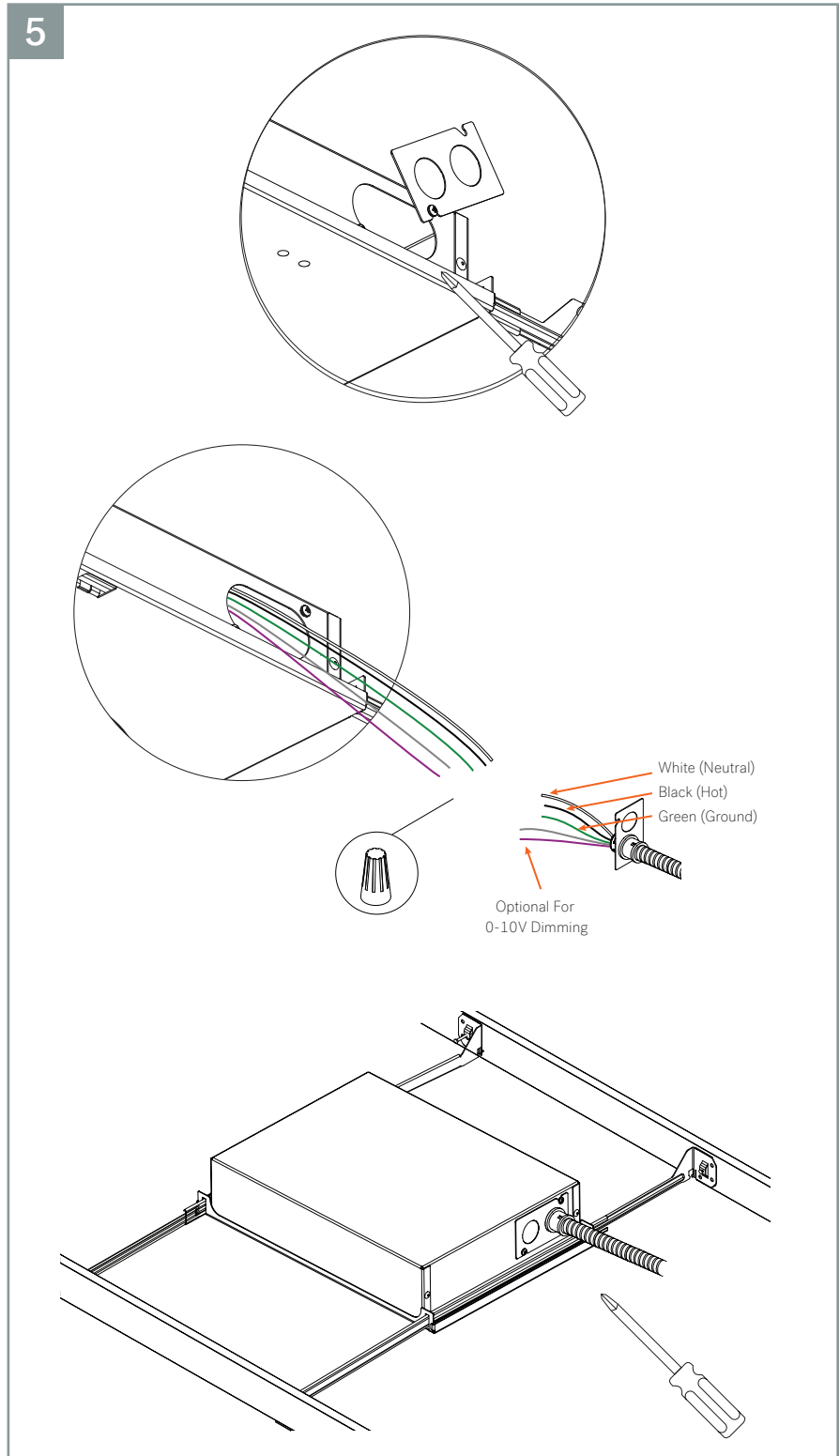
Measure and mark the location of the pan hole from wood joists/T-Bars.



ECO DOWNLIGHT 1", 3", 5" SAIC - INSTALLATION INSTRUCTIONS

STEP 5 - Make Electrical Connection

- Using a #1 Phillips screwdriver, remove knockout plate.
- Pull the pre-installed conduit and supply wires to luminaire.
- With a flathead screwdriver and hammer, punch-out knock-out(s).
- Using a UL listed conduit connector secure connector to the knock-out plate, passing supply wires through connector.
- Connect supply wires using approved wire nuts to the luminaire using the wiring diagrams shown on next page.
- Reattach knockout plate.



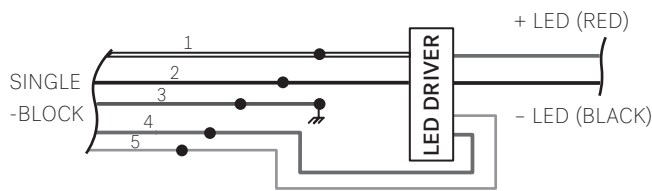
ECO DOWNLIGHT 1", 3", 5" SAIC - INSTALLATION INSTRUCTIONS

STEP 5 - Wiring Diagrams

5

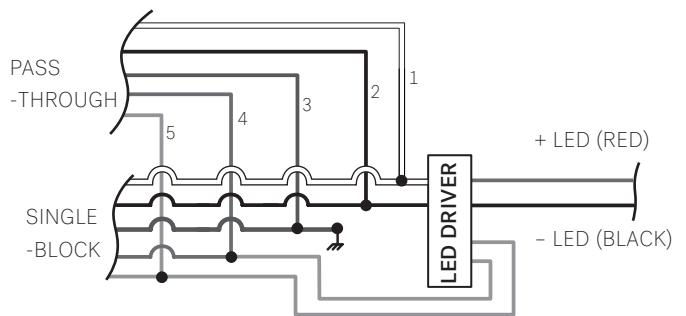
TRI-DIMMING

For Single-Block Connection



- 1/ NEUTRAL (WHITE)
- 2/ LINE (HOT) - (BLACK)
- 3/ GROUND (GREEN)
- 4/ + DIM (PURPLE)
- 5/- DIM (PINK)

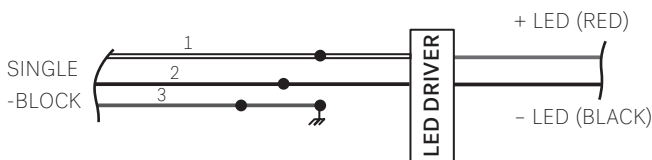
For Pass-Through Connection



- 1/ NEUTRAL (WHITE)
- 2/ LINE (HOT) - (BLACK)
- 3/ GROUND (GREEN)
- 4/ + DIM (PURPLE)
- 5/- DIM (PINK)

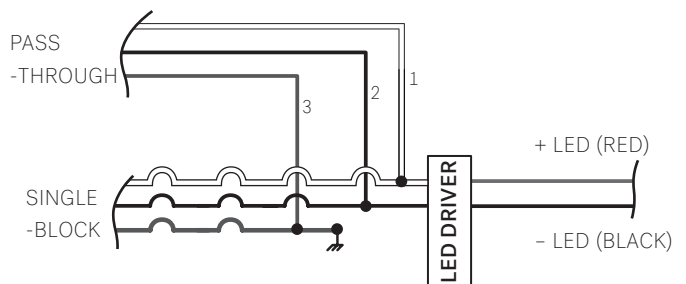
PHASE DIMMING ONLY

For Single-Block Connection



- 1/ NEUTRAL (WHITE)
- 2/ LINE (HOT) - (BLACK)
- 3/ GROUND (GREEN)

For Pass-Through Connection



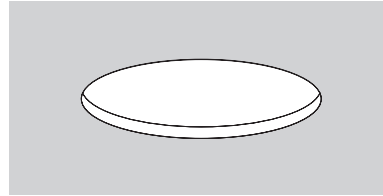
- 1/ NEUTRAL (WHITE)
- 2/ LINE (HOT) - (BLACK)
- 3/ GROUND (GREEN)

ECO DOWNLIGHT 1", 3", 5" SAIC - INSTALLATION INSTRUCTIONS

STEP 6 – Ceiling Cutout + Installation

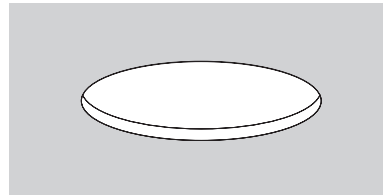
- Consult the appropriate “Ceiling Cutout Table” to the right before cutting the ceiling or tile is attached.
- **Note: FLANGED, ROUND TRIMLESS and SQUARE TRIMLESS applications require different cutout sizes.**
- Cut ceiling hole at the pre-measured location using a hole saw or speed router to the size indicated within the “Ceiling Cutout Table” to the right.
- Attach ceiling or tile ensuring the ceiling hole pass over the luminaire collar.
- If painting the ceiling with luminaire installed keep paint masking cover installed within Luminaire body during painting and remove once paint has fully dried.

6



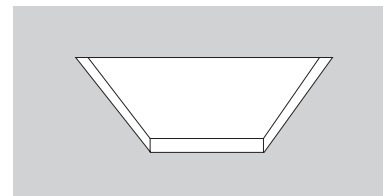
Flanged Trim
Ceiling Cutout Table

Model	1 inch	3 inch	5 inch
Cutout Size	Ø2-3/8 (Ø60.3mm)	Ø3-7/8 (Ø98.4mm)	Ø5-1/8 (Ø130.2mm)



Round Trimless
Ceiling Cutout Table

Model	1 inch	3 inch	5 inch
Cutout Size	Ø3-1/8 (Ø79.4mm)	Ø4-3/8 (Ø111.1mm)	Ø5-3/4 (Ø146.1mm)



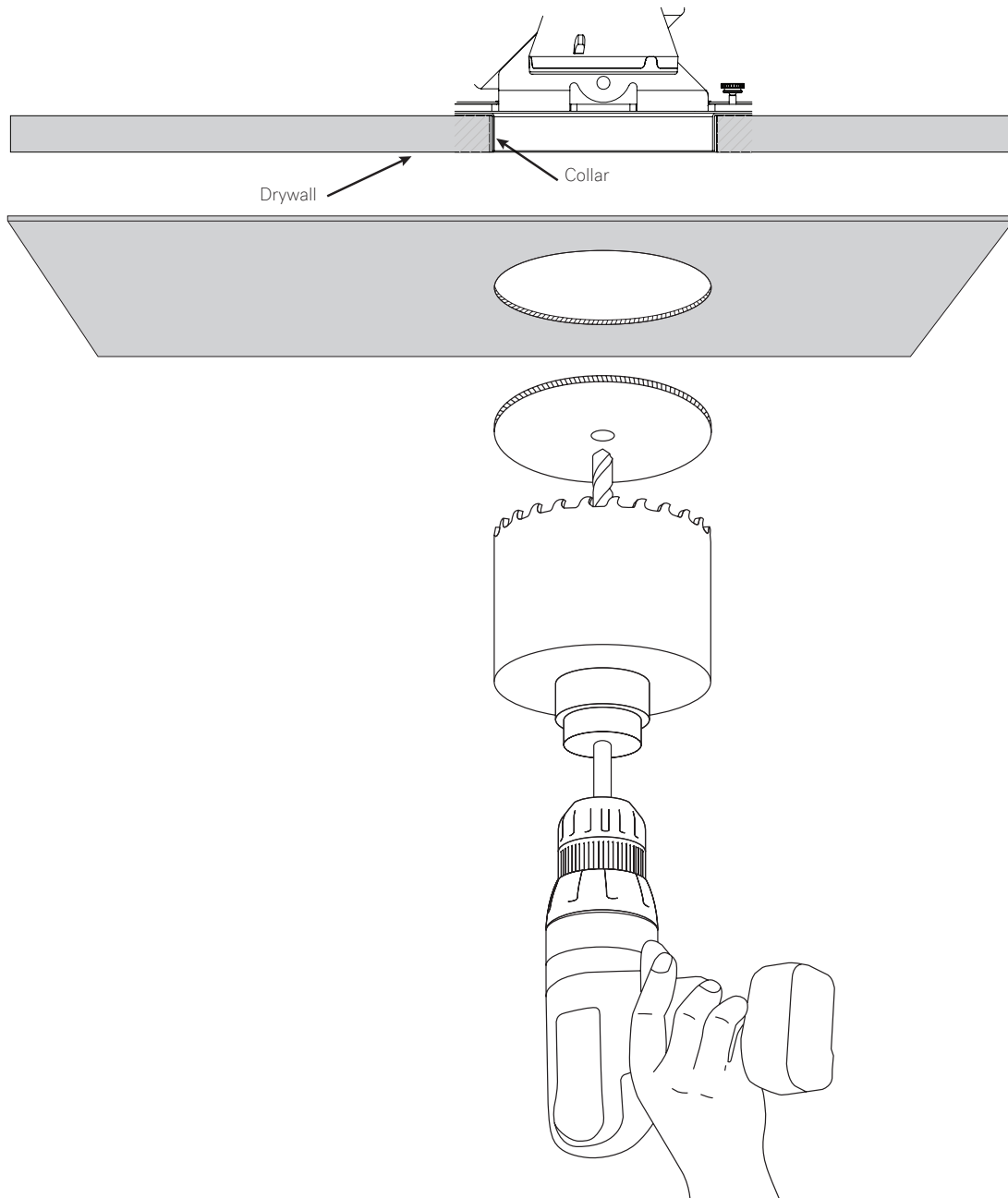
Square Trimless
Ceiling Cutout Table

Model	1 inch	3 inch	5 inch
Cutout Size	L 2-1/2 (L 63.5mm)	L 3-3/4 (L 95.3mm)	L 5-1/8 (L 130.2mm)

ECO DOWNLIGHT 1", 3", 5" SAIC - INSTALLATION INSTRUCTIONS

STEP 6 - Ceiling Cutout + Installation

6



ECO DOWNLIGHT 1", 3", 5" SAIC - INSTALLATION INSTRUCTIONS

STEP 7 - Light Beam Adjustment (PAN + TILT)

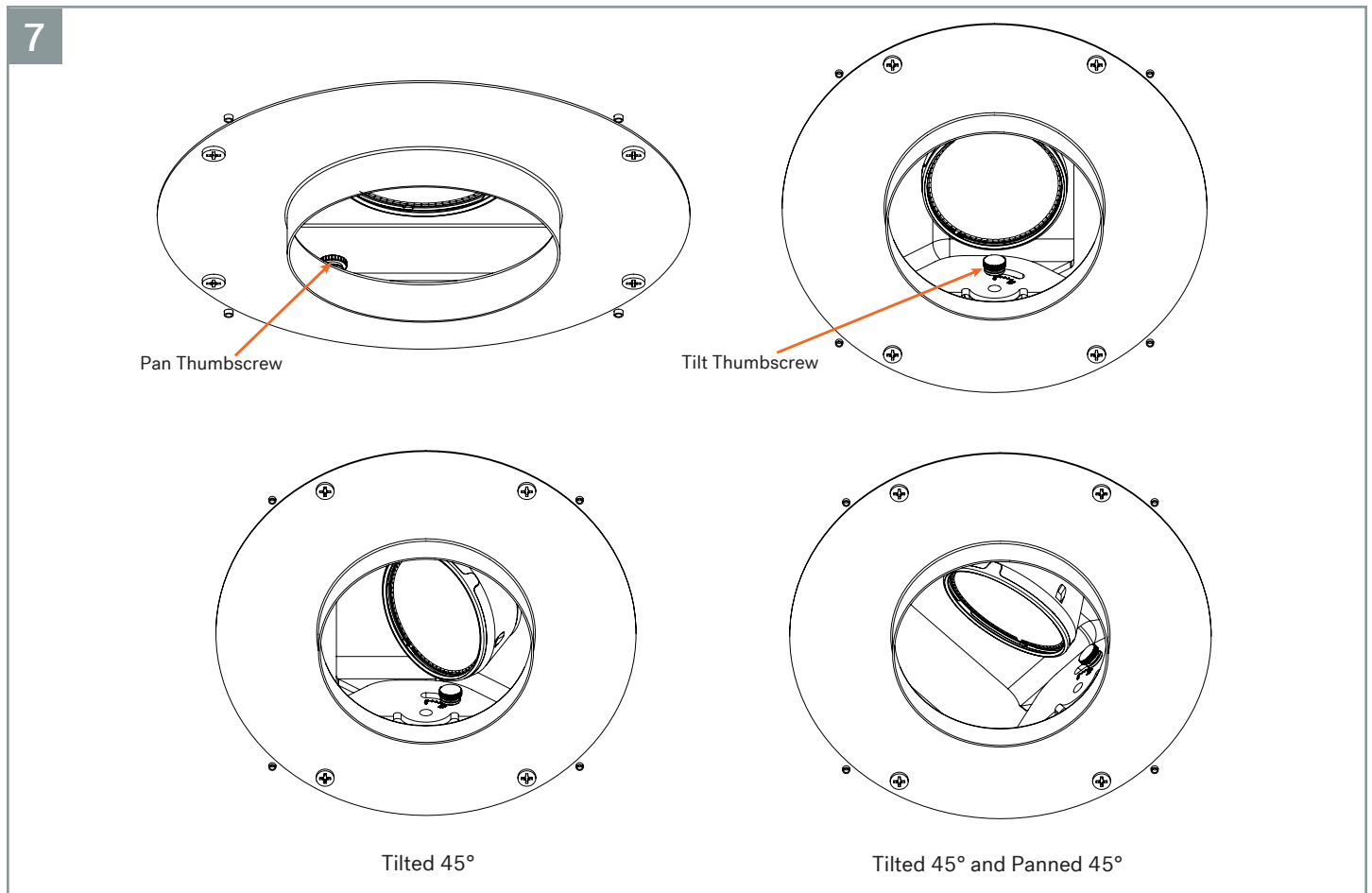
Light beam can be adjusted through pan and tilt functions, accessible via the thumbscrews in the housing.

PAN

- With one hand loosen the pan thumbscrew.
- Pan system to the desired position and tighten thumbscrews securing system.

TILT

- Loosen the two tilt thumbscrews on side of the optic.
- Tilt to the desired angle and tighten thumbscrews securing system at tilt angle.



ECO DOWNLIGHT 1", 3", 5" SAIC - INSTALLATION INSTRUCTIONS

STEP 8 (Optional) –

SilentVu™ Optic and Media Installation or Replacement

Eco Downlight ships with 50° optic installed. If ordered, alternate optics and media will be included with the shipment and will need to be installed.

Removing Installed Optic for 1 Inch:

- Remove Optic Holder, and using Optic Installation Tool, snap tool over Optic.
- Rotate counterclockwise and pull-out Optic from Luminaire.

Removing Installed Optic for 3 Inch, 5 Inch:

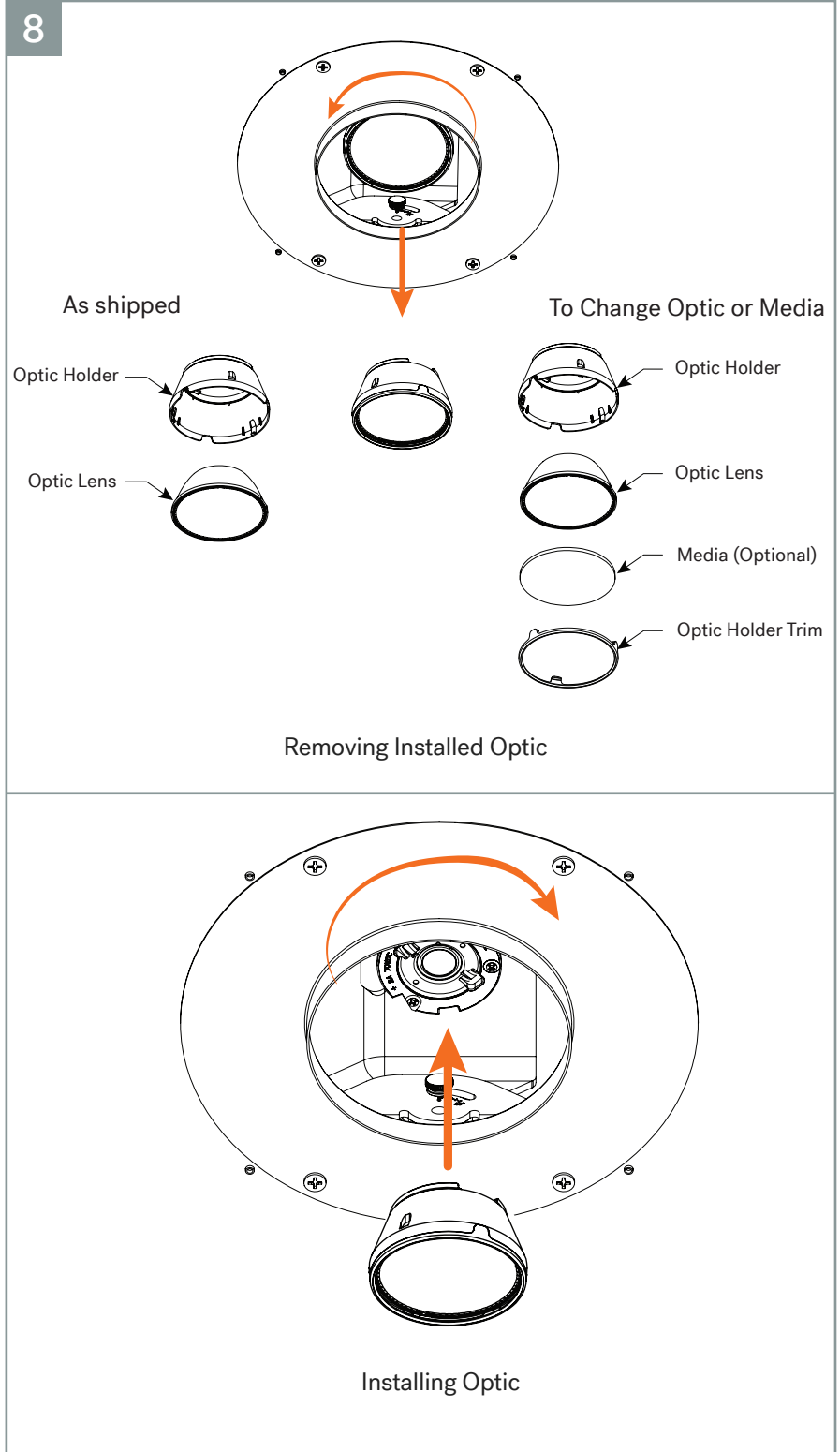
- With one hand, rotate the Optic counterclockwise and pull-out Optic from Luminaire.

Installing Optic:

- Reattach Optic Holder if necessary.
- Aligning the tabs on the Optic to the slots on the Luminaire push and rotate the Optic clockwise securing the Optic to the Luminaire.

Adding Media:

- Remove the Optic using the steps listed above.
- Place the desired Media within the Optic Holder Trim, then snap the Media Holder Trim to the Optic Holder.
- Holding the Optic Holder Trim re-attach optic to luminaire.
- The adjustable fixtures can use the Media Holder. You can add Media holder to be used with 2 media.

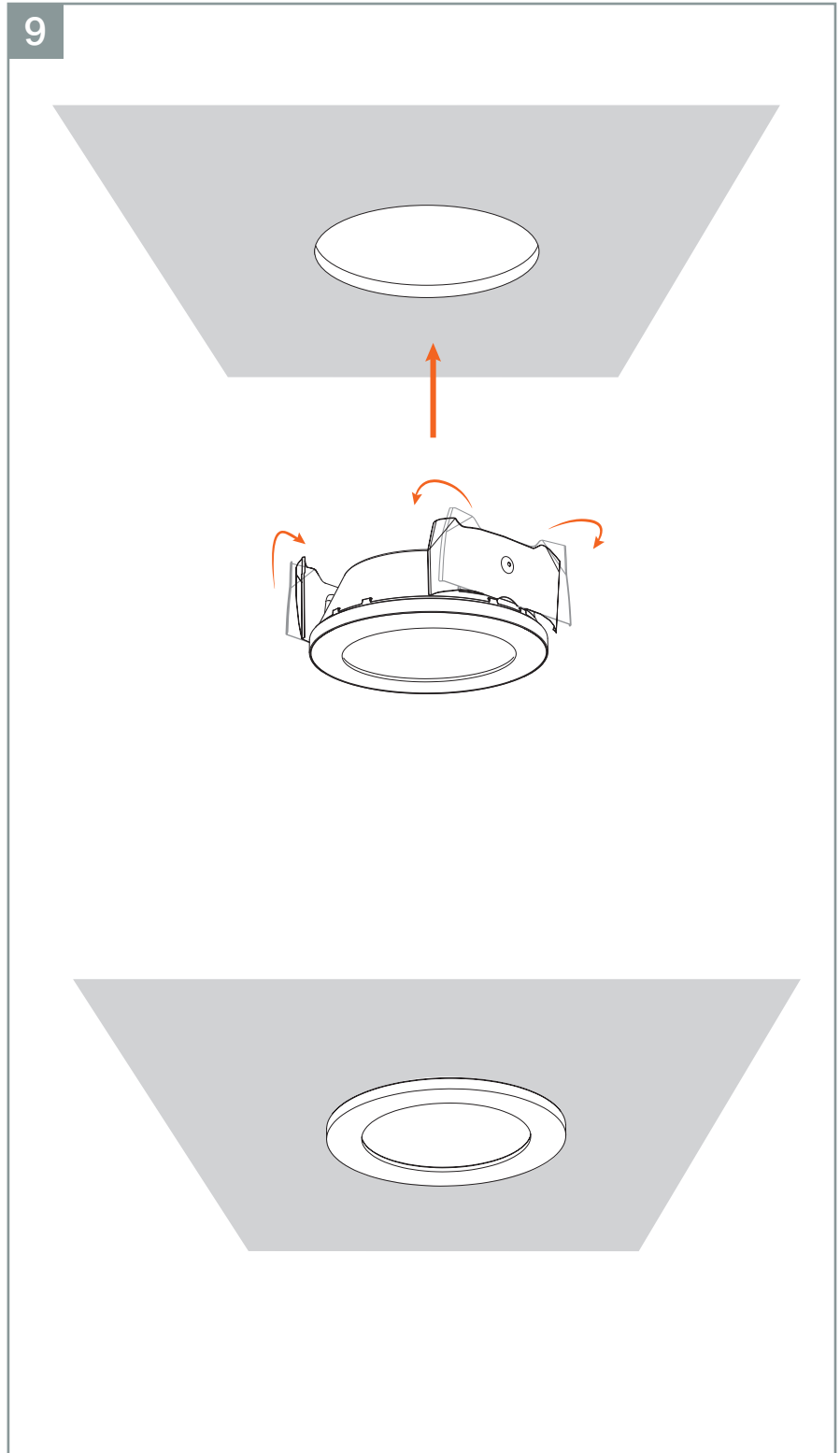


ECO DOWNLIGHT 1", 3", 5" SAIC - INSTALLATION INSTRUCTIONS

STEP 9 (Optional) - Trim Installation

FOR FLANGED

- Compress the Spring Clips against the Trim body.
- Push Trim within Luminaire body until the makes contact to the ceiling.



ECO DOWNLIGHT 1", 3", 5" SAIC - INSTALLATION INSTRUCTIONS

STEP 9 (Optional) - Trim Installation

FOR TRIMLESS

- Align the mud ring to the desired position and centered to the luminaire collar.
- Using a #2 Phillips screwdriver fasten mud-ring to ceiling using the 4X screws provided.
- Make sure mud protector board is installed before mudding.
- With drywall knife apply mud to mud-ring up to the rim of the mud-ring. Ensure no mud goes beyond the rim.
- With a block sander smooth out bumps or unevenness. Repeat until ceiling is smooth.
- Paint ceiling and after paint is fully dry remove the mud protector board.
- Compress the Spring Clips against the Trim body.
- Push Trim within mud-ring until it makes contact to the ceiling.

